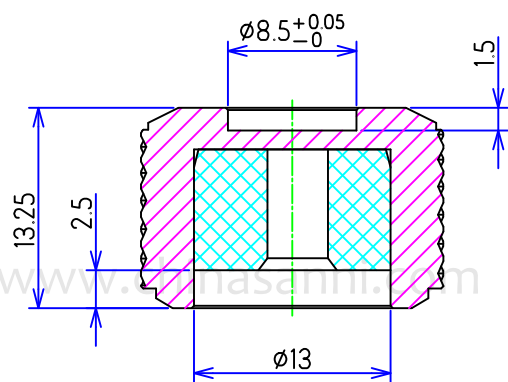
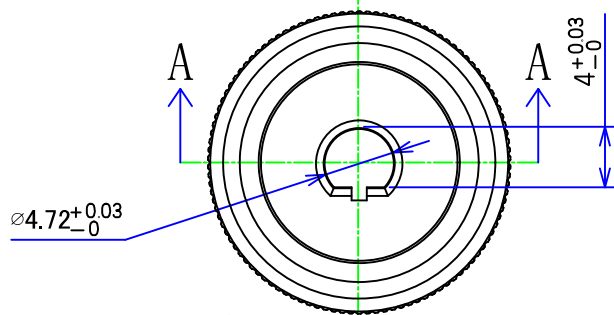
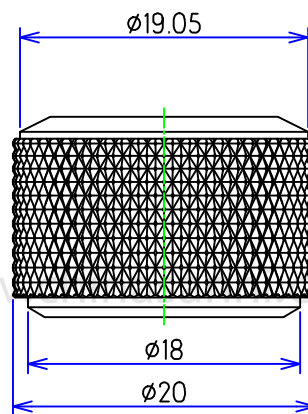




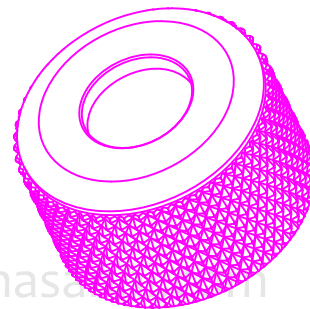
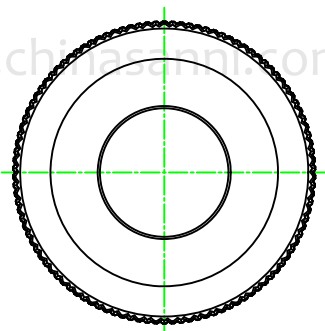
⊙	0.01
≡	0.01



A-A剖视图



3D图



技术要求:

- 1: 零件不能有压伤、缺料、多料、混料、划伤、变形等不良现象。
- 2: 塑胶旋钮组装后紧固力大于5kgf. cm不能出现打滑转动, 不能有芯子脱出现象。

Material No. ABS+铝				Dispose: 氧化铝本色		S:	D:	V:	M:
⊙				TOL UNLESS OTHERWISE STATED		DESIGNED	CHECKED	SANNI ELECTRONIC TECHNOLOGY	
⊙				BASIC DIMENSION	TOLERANCE				
⊙				Less than 1.00	±0.1			Model No.	XN-208-FE
⊙				1.00-less than 10.0	±0.15	DRAWING No.	RD-BD-XN-030	Document No.	XN-208 旋钮
⊙				10.0-less than 50.0	±0.5	UNIT mm	Edition A1.0		
SYMB	REVISION	DATE	APPROVED	ANGLE	±0.5°	SCALE 2:1	DRW D 2023-08/13		