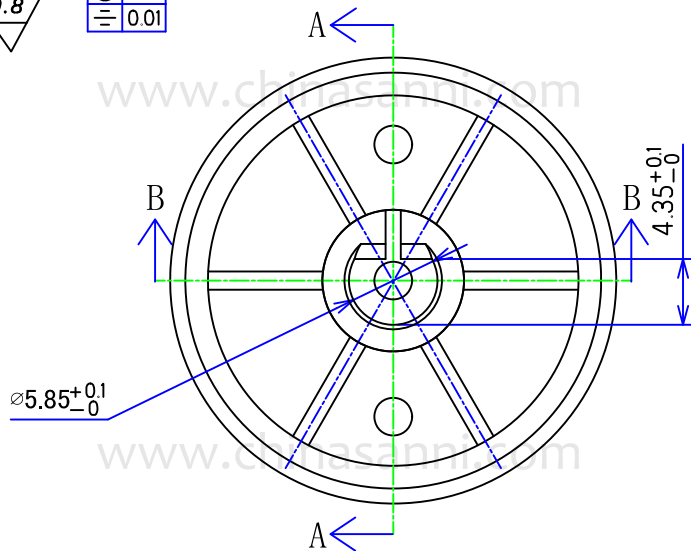
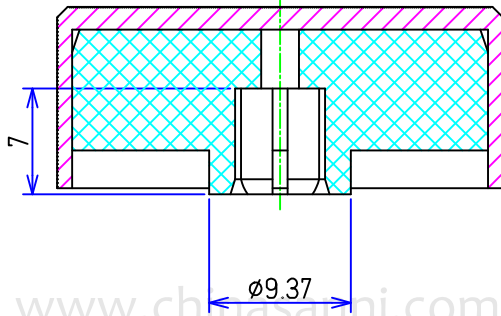




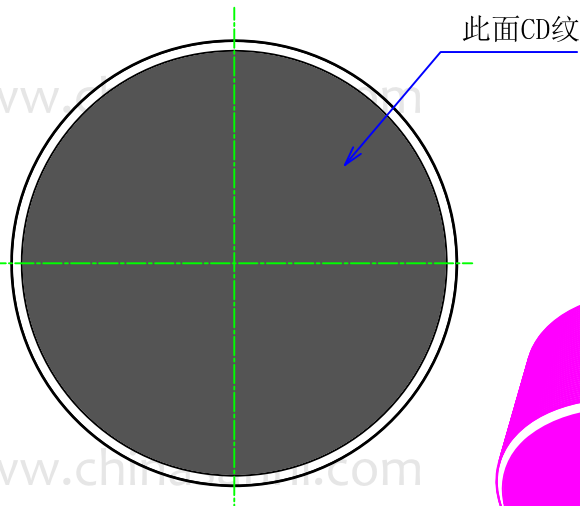
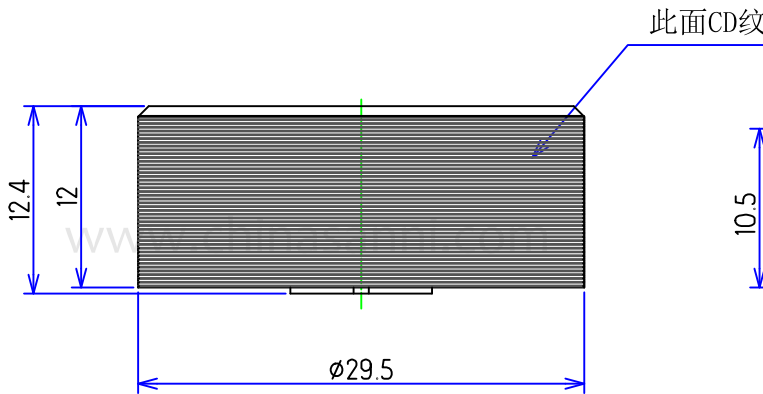
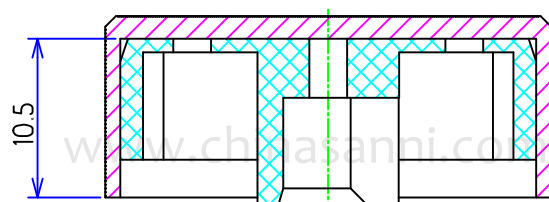
◎	0.01
≡	0.01



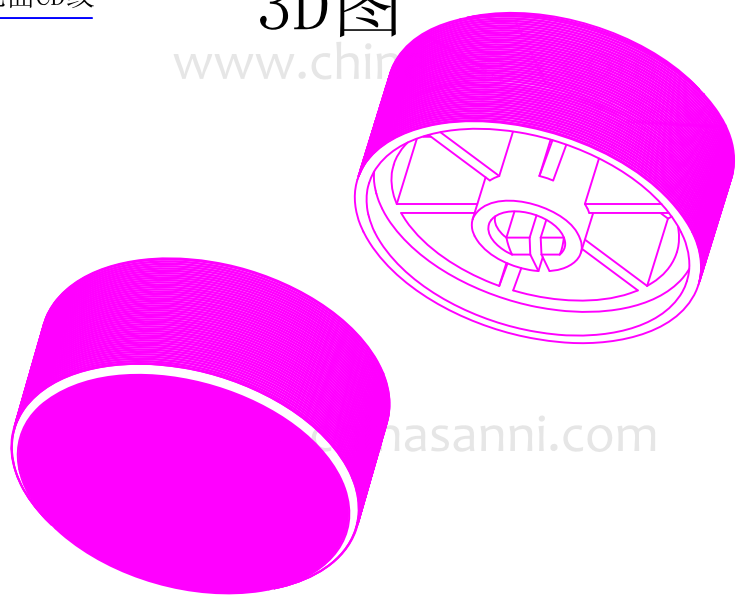
B-B剖视图



A-A剖视图



3D图



技术要求:

- 1. 表面无划痕, 色差等;
- 2. 无缩水、披锋、水纹;
- 3. CD纹无乱纹;

Material No. PC+铝				Dispose: 氧化亮黑色		S:	D:	V:	M:
△				TOL UNLESS OTHERWISE STATED		DESIGNED	CHECKED	<b>SANNI</b> ELECTRONIC TECHNOLOGY	
△				BASIC DIMENSION	TOLERANCE				
△				Less than 1.00	±0.1			Model No.	XN-203-FB
△				1.00-less than 10.0	±0.15	DRAWING No.	RD-BD-XN-031	Document No.	XN-203 旋钮
△				10.0-less than 50.0	±0.5	UNIT	Edition		
SYMB	REVISION	DATE	APPROVED	ANGLE	±0.5°	mm	A1.0		
						SCALE	DRW D		
						2:1	2023-07/06		