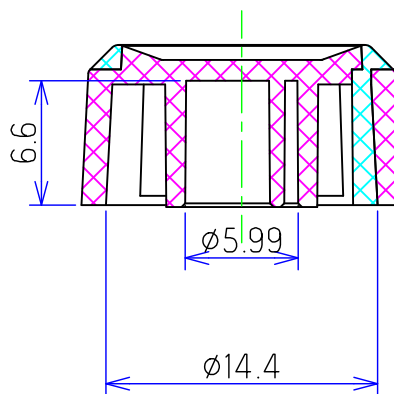
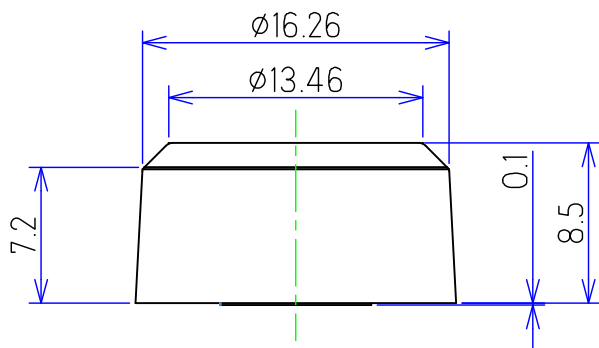
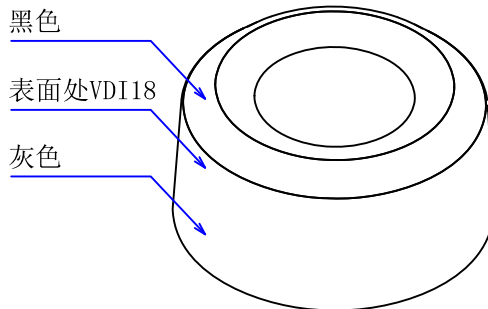
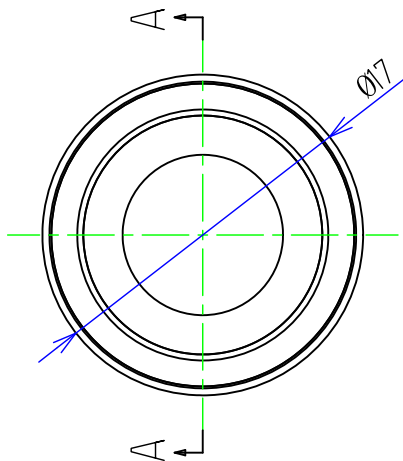
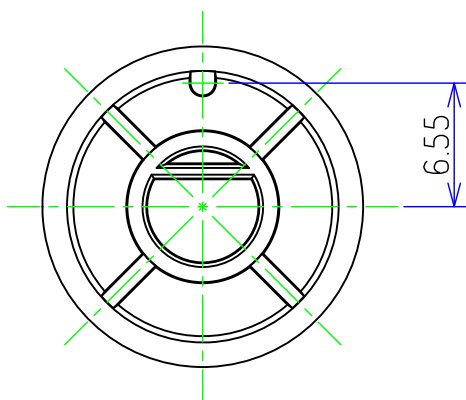




⊙	0.02
≡	0.02



SECTION A - A



技术要求:

1: 无缺料、刮伤、披锋不良;

Material No. ABS#+#				Dispose: 表面纹路: VDI 18		S:	D:	V:	M:
△				TOL UNLESS OTHERWISE STATED		DESIGNED	CHECKED		
△				BASIC DIMENSION	TOLERANCE	<b>SANNI</b> ELECTRONIC TECHNOLOGY			
△				Less than 1.00	±0.01				
△				1.00-less than 10.0	±0.03				
△				10.0-less than 50.0	±0.05	DRAWING No.		Model No.	XN-404-FB
SYMB	REVISION	DATE	APPROVED	ANGLE	±1°	UNIT mm	Edition A1.1	Document No.	XN-404 旋钮
						SCALE 1:1	2023/08/17		